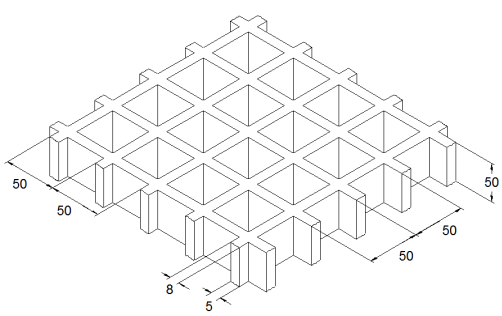


SCH 50/50_IFR

ESD line

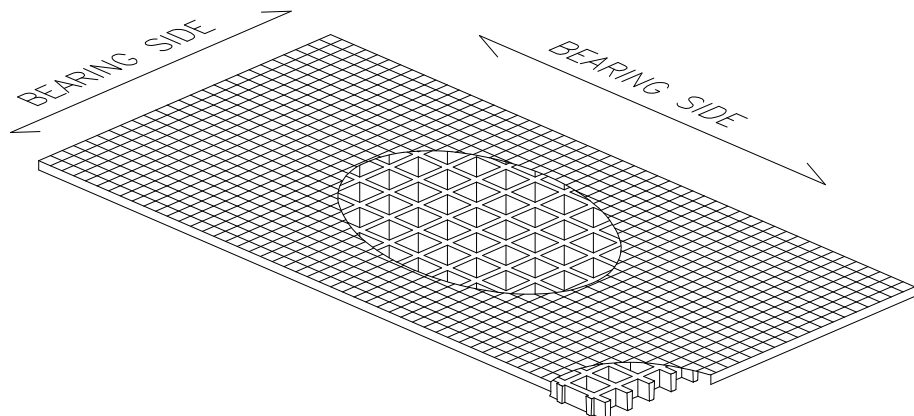
20.07.2015 - Rev. 5

MOLDED GRATINGS

Mesh	mm 50 x 50	
Clear span	mm 42 x 42	
Height	mm 50	
Bearing bar thickness	mm 8 upper part	
	mm 5 bottom part	
Color	Top Coat Black	

Raw materials	Polyester Resin
	Roving glass fiber type "E"
	Inorganic fillers without halogens


Resin type	Modulus of elasticity	Ultimate stress
IFR	15000 MPa	325 MPa

Standard panels	
mm 1220 x 3660	
Weight kg/m² 19,5	
tolerance	± mm 5 panel dimensions
	± mm 2 height

IFR-ESD line	Top Coat Polyester with Carbon black conductive powder
---------------------	---

Surface	A	Quartz	Antiskid level R13 V10 norm DIN 51130
----------------	---	---------------	--

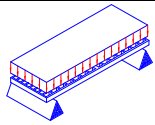
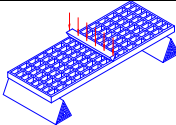
Reaction to fire	Fire retardant	Spread ≤ 25 norm ASTM E84-98
		ASTM D635 Elapsed time and burned length < 25 mm

Surface and Volume electrical resistivity. Dielectric strength	 Antistatic Dissipative	EN 61340-2.3 Par. 8.1 and 8.2 – IEC 61340-4.1 Par. 5.1.2 ref. ISO 1957 – IEC 61340-4.5 – ASTM D149-97a
---	--	---

LOADS

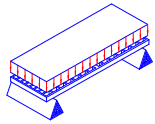
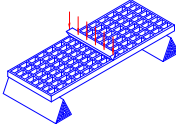
MAXIMUM SUGGESTED LOADS

Type of support	On the line of the two ends of the panel
Limits determined by	Deflection (load sagging)
the maximum deflection admitted , is 1/200 of the distance between the supports	
According to the standard DIN 24537-3 deviation due to the load may be no more than 1/200 of the land width and the difference in height between neighbouring joints between loaded and unloaded floor coverings may be no more than 4 mm.	

DISTIBUTED LOAD			CONCENTRATED LOAD			
	Distance between supports [cm]	Load with deflection equal to 1/200 [kg/m ²]		Load with deflection equal to 1/100	Distance between supports [cm]	Load with deflection equal to 1/200 [cm]
	70	2300	4650	70	1000	2050
	90	1100	2200	90	600	1200
	110	600	1200	110	400	800
	130	350	700	130	250	550

All lighter loads are admitted

Limits determined by	Admitted stresses (stress determined by the load)
the maximum admitted stress is 1/5 of the ultimate stress (safety factor is equal to 0.20 – the ultimate stress is 5 times the specified load)	

DISTIBUTED LOAD			CONCENTRATED LOAD		
	Distance between supports [cm]	Maximum admitted load [kg/m ²]		Distance between supports [cm]	Maximum admitted load [kg/m]
	70	5500	70	1900	
	90	3300	90	1450	
	110	2200	110	1200	
	130	1550	130	1000	

All lighter loads are admitted

- The above characteristics are meant as reference values for standard material in ambient working temperature. Even if they are not to be considered as guaranteed characteristics they are based on our experience and are supplied in good faith.
- According to the standard DIN 24537-3 the conversion safety factor should be 0.75 for internal environmental exposure conditions, 0.65 for external exposure conditions, and 0.50 for aggressive exposure conditions.
- No matter which are the exposure conditions, chemical resistance must be always verified by contacting M.M.technical department.
- In case of heavy duty load compressive strength must be verified.