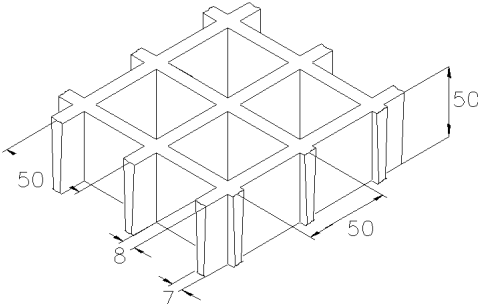


SCH 50/50_ISO_HDL

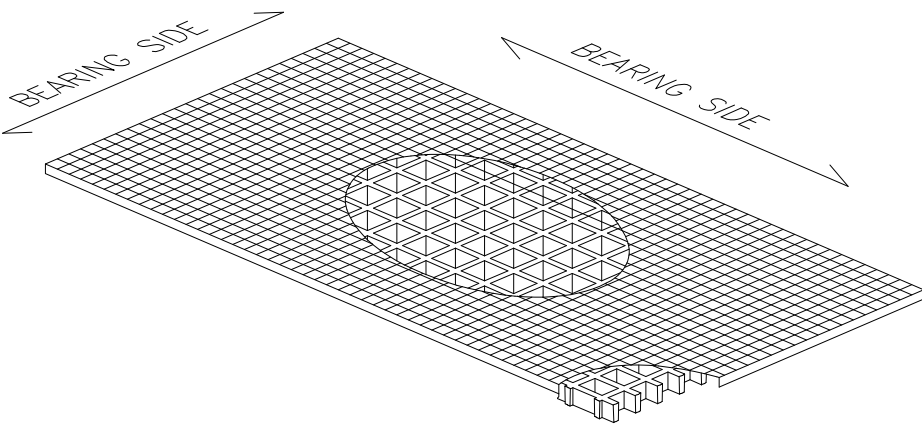
20.07.2015 - Rev. 5

MOLDED GRATINGS

Mesh	mm 50 x 50	
Clear span	mm 42 x 42	
Height	mm 50	
Bearing bar thickness	mm 8 upper part	
	mm 7 bottom part	
Color	Translucent green	

Raw materials	ISOPHTALIC Polyester Resin
	Roving glass fiber type "E"
	Without inorganic fillers

Resin type	Modulus of elasticity	Ultimate stress
ISO	12250 MPa	310 MPa

Standard panels	
mm 1100 x 2000	
Weight kg/m² 21	
tolerance	± mm 5 panel dimensions
	± mm 2 height

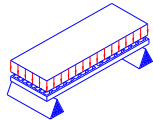
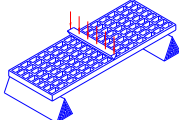
Surface	S	Smooth	Antiskid level R10 V10 norm DIN 51130
	A	Quartz	Antiskid level R13 V10 norm DIN 51130

Ageing resistance	Ageing test made with UV lamp according to ASTM G154-06 and passed with 5 points on the gray range and without evident defects (test made with 1500 hours of exposure to 4 hours alternate cycles at a UV temperature of 60°C and 4 hours at a condensed temperature of 50°C irradiated by UVB 313 nm lamp, radiance 0,71 W/m²)
	After the exposure to heat, cold and humidity cycles according to UNI EN ISO 9142/04 norm (n° 21 cycles type D3) there is no evidence of defects

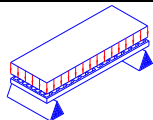
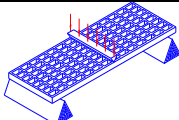
LOADS

MAXIMUM SUGGESTED LOADS

Type of support	On the line of the two ends of the panel
Limits determined by	Deflection (load sagging)
the maximum deflection admitted , is 1/200 of the distance between the supports	
According to the standard DIN 24537-3 deviation due to the load may be no more than 1/200 of the land width and the difference in height between neighbouring joints between loaded and unloaded floor coverings may be no more than 4 mm.	

DISTRIBUTED LOAD			CONCENTRATED LOAD		
					
Distance between supports	Load with deflection equal to 1/200	Load with deflection equal to 1/100	Distance between supports	Load with deflection equal to 1/200	Load with deflection equal to 1/100
[cm]	[kg/m ²]		[cm]	[kg/m]	
70	2200	4450	70	950	1950
90	1050	2100	90	550	1150
110	550	1150	110	350	750
130	350	700	130	250	550
All lighter loads are admitted					

Limits determined by	Admitted stresses (stress determined by the load)
the maximum admitted stress is 1/5 of the ultimate stress (safety factor is equal to 0.20 – the ultimate stress is 5 times the specified load)	

DISTRIBUTED LOAD		CONCENTRATED LOAD	
			
Distance between supports	Maximum admitted load	Distance between supports	Maximum admitted load
[cm]	[kg/m ²]	[cm]	[kg/m]
70	6450	70	2250
90	3900	90	1750
110	2600	110	1400
130	1850	130	1200
All lighter loads are admitted			

- The above characteristics are meant as reference values for standard material in ambient working temperature. Even if they are not to be considered as guaranteed characteristics they are based on our experience and are supplied in good faith.
- According to the standard DIN 24537-3 the conversion safety factor should be 0.75 for internal environmental exposure conditions, 0.65 for external exposure conditions, and 0.50 for aggressive exposure conditions.
- No matter which are the exposure conditions, chemical resistance must be always verified by contacting M.M.technical department.
- In case of heavy duty load compressive strength must be verified.