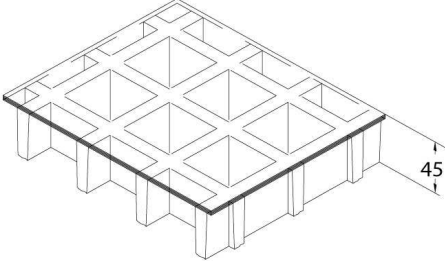


**SCH 40/38C\_VIN**

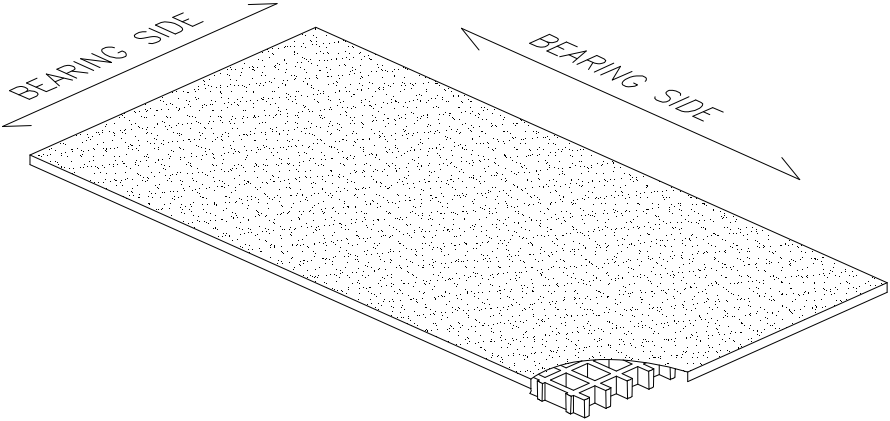
06.05.2011 - Rev. 4

**MOLDED GRATINGS**

<b>Mesh</b>	mm 40 x 40	
<b>Thickness</b>	mm 45	
<b>Cover thickness</b>	mm 5	
<b>Bearing bar thickness</b>	mm 8 upper part	
	mm 7 bottom part	
<b>Color</b>	Natural translucent	

<b>Raw materials</b>	<b>Vinylester Resin</b>
	<b>Roving glass fiber + Mat and Woven Fabric type "ECR"</b>
	<b>Without inorganic fillers</b>

<b>Resin type</b>	<b>Modulus of elasticity</b>	<b>Ultimate stress</b>
VIN	12250 MPa	250 MPa

<b>Standard panels</b>	
mm 1000 x 2000	
mm 1200 x 3000	
<b>Weight kg/m<sup>2</sup> 27</b>	
<b>tolerance</b>	
	± mm 5 panel dimensions
	± mm 2 height

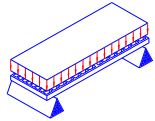
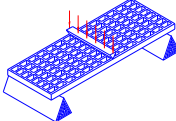
<b>Surface</b>	A	<b>Quartz</b>	<b>Antiskid level R13 V4 norm DIN 51130</b>
----------------	---	---------------	---

<b>Ageing resistance</b>	<b>Ageing test made with UV lamp according to ASTM G154-06 and passed with 5 points on the gray range and without evident defects</b> (test made with 1500 hours of exposure to 4 hours alternate cycles at a UV temperature of 60°C and 4 hours at a condensed temperature of 50°C irradiated by UVB 313 nm lamp, radiance 0,71 W/m <sup>2</sup> )
	<b>After the exposure to heat, cold and humidity cycles according to UNI EN ISO 9142/04 norm (n° 21 cycles type D3) there is no evidence of defects</b>

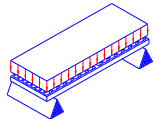
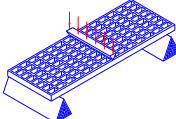
## LOADS

### MAXIMUM SUGGESTED LOADS

Type of support	<b>On the line of the two ends of the panel</b>
Limits determined by	<b>Deflection</b> (load sagging)
the <b>maximum deflection admitted</b> , is 1/200 of the distance between the supports	
According to the standard DIN 24537-3 deviation due to the load may be no more than 1/200 of the land width and the difference in height between neighbouring joints between loaded and unloaded floor coverings may be no more than 4 mm.	

<b>DISTRIBUTED LOAD</b>			<b>CONCENTRATED LOAD</b>		
					
Distance between supports	Load with deflection equal to 1/200	Load with deflection equal to 1/100	Distance between supports	Load with deflection equal to 1/200	Load with deflection equal to 1/100
[cm]	[kg/m <sup>2</sup> ]		[cm]	[kg/m]	
50	9850	19750	50	3050	6150
70	3600	7200	70	1550	3150
90	1650	3350	90	950	1900
110	900	1850	110	600	1250
All lighter loads are admitted					

Limits determined by	<b>Admitted stresses</b> (stress determined by the load)
the <b>maximum admitted stress</b> is 1/5 of the ultimate stress (safety factor is equal to 0.20 – the ultimate stress is 5 times the specified load)	

<b>DISTRIBUTED LOAD</b>		<b>CONCENTRATED LOAD</b>	
			
Distance between supports	Maximum admitted load	Distance between supports	Maximum admitted load
[cm]	[kg/m <sup>2</sup> ]	[cm]	[kg/m]
50	14500	50	3600
70	7400	70	2550
90	4450	90	2000
110	2950	110	1600
All lighter loads are admitted			

- The above characteristics are meant as reference values for standard material in ambient working temperature. Even if they are not to be considered as guaranteed characteristics they are based on our experience and are supplied in good faith.
- According to the standard DIN 24537-3 the conversion safety factor should be 0.75 for internal environmental exposure conditions, 0.65 for external exposure conditions, and 0.50 for aggressive exposure conditions.
- No matter which are the exposure conditions, chemical resistance must be always verified by contacting M.M.technical department.
- In case of heavy duty load compressive strength must be verified.