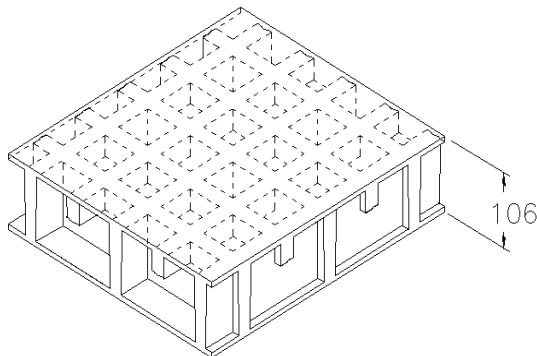


SCH 52/100DC_CFR

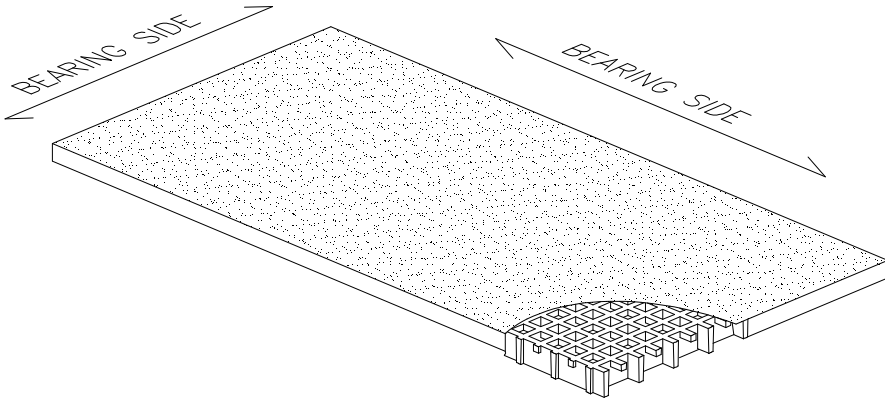
06.05.2011 - Rev. 4

MOLDED GRATINGS

Mesh	mm 52 x 52 main	
	mm 26 x 26 secondary	
Thickness	mm 106	
Cover thickness	mm 3 upper cover	
	mm 3 bottom cover	
Bearing bar thickness	mm 10 upper part	
	mm 8 bottom part	
Color	Black	

Raw materials	Polyester Resin
	Roving glass fiber + Mat and Woven Fabric type "E"
	Inorganic fillers without halogens + Carbon black conductive powder

Resin type	Modulus of elasticity	Ultimate stress
CFR	15000 MPa	130 MPa

Standard panels	
mm 1005 x 1510	
Weight kg/m² 70	
tolerance	± mm 5 panel dimensions
	± mm 2 height

Surface	A	Quartz	Antiskid level R13 V4 norm DIN 51130
----------------	---	---------------	---

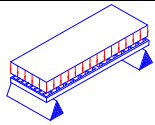
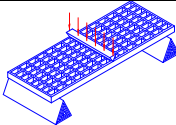
Reaction to fire	Fire retardant	Spread ≤ 25 norm ASTM E84-98
		ASTM D635 Elapsed time and burned length < 25 mm

Surface and Volume electrical resistivity. Dielectric strength	Excellent Conductivity	EN 61340-2.3 Par. 8.1 and 8.2 – IEC 61340-4.1 Par. 5.1.2 ref. ISO 1957 – IEC 61340-4.5 - ASTM D149-97a
---	-------------------------------	---

LOADS

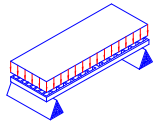
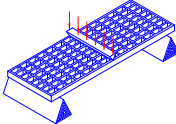
MAXIMUM SUGGESTED LOADS

Type of support	On the line of the two ends of the panel
Limits determined by	Deflection (load sagging)
the maximum deflection admitted , is 1/200 of the distance between the supports	
According to the standard DIN 24537-3 deviation due to the load may be no more than 1/200 of the land width and the difference in height between neighbouring joints between loaded and unloaded floor coverings may be no more than 4 mm.	

DISTIBUTED LOAD			CONCENTRATED LOAD			
	Distance between supports [cm]	Load with deflection equal to 1/200 [kg/m ²]		Distance between supports [cm]	Load with deflection equal to 1/200 [cm]	Load with deflection equal to 1/100
	80	35450		80	17700	35450
	100	18150		100	11350	22700
	120	10500		120	7850	15750
	140	6600		140	5750	11550

All lighter loads are admitted

Limits determined by	Admitted stresses (stress determined by the load)
the maximum admitted stress is 1/5 of the ultimate stress (safety factor is equal to 0.20 – the ultimate stress is 5 times the specified load)	

DISTIBUTED LOAD			CONCENTRATED LOAD		
	Distance between supports [cm]	Maximum admitted load [kg/m ²]		Distance between supports [cm]	Maximum admitted load [kg/m]
	80	19350		80	7700
	100	12350		100	6150
	120	8600		120	5150
	140	6300		140	4400

All lighter loads are admitted

- The above characteristics are meant as reference values for standard material in ambient working temperature. Even if they are not to be considered as guaranteed characteristics they are based on our experience and are supplied in good faith.
- According to the standard DIN 24537-3 the conversion safety factor should be 0.75 for internal environmental exposure conditions, 0.65 for external exposure conditions, and 0.50 for aggressive exposure conditions.
- No matter which are the exposure conditions, chemical resistance must be always verified by contacting M.M.technical department.
- In case of heavy duty load compressive strength must be verified.