

SCH 68/50_VIN

06.05.2011 - Rev. 4

MOLDED GRATINGS

Mesh	mm 100 x 68	
Clear span	mm 92 x 60	
Height	mm 50	
Bearing bar thickness	mm 8 upper part	
	mm 7 bottom part	
Color	Natural translucent	

Raw materials	Vinylester Resin
	Roving glass fiber type "ECR"
	Without inorganic fillers

Resin type	Modulus of elasticity	Ultimate stress
VIN	12250 MPa	310 MPa

Standard panels	
mm 1100 x 2200	
Weight kg/m² 15	
tolerance	± mm 5 panel dimensions
	± mm 2 height

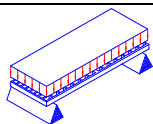
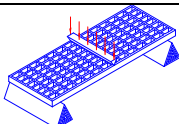
Surface	S	Smooth	Antiskid level R10 V10 norm DIN 51130
	M	Meniscus	Antiskid level R13 V10 norm DIN 51130
	A	Quartz	Antiskid level R13 V10 norm DIN 51130

Ageing resistance	Ageing test made with UV lamp according to ASTM G154-06 and passed with 5 points on the gray range and without evident defects (test made with 1500 hours of exposure to 4 hours alternate cycles at a UV temperature of 60°C and 4 hours at a condensed temperature of 50°C irradiated by UVB 313 nm lamp, radiance 0,71 W/m²)
	After the exposure to heat, cold and humidity cycles according to UNI EN ISO 9142/04 norm (n° 21 cycles type D3) there is no evidence of defects

LOADS

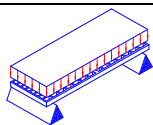
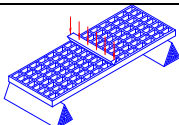
MAXIMUM SUGGESTED LOADS

Type of support	On the line of the two ends of the panel
Limits determined by	Deflection (load sagging)
the maximum deflection admitted , is 1/200 of the distance between the supports	
According to the standard DIN 24537-3 deviation due to the load may be no more than 1/200 of the land width and the difference in height between neighbouring joints between loaded and unloaded floor coverings may be no more than 4 mm.	

DISTIBUTED LOAD			CONCENTRATED LOAD		
	Distance between supports [cm]	Load with deflection equal to 1/200 [kg/m ²]		Distance between supports [cm]	Load with deflection equal to 1/100 [cm]
		Load with deflection equal to 1/100			
70	1600	3200	70	700	1400
90	750	1500	90	400	800
110	400	800	110	250	550
130	250	500	130	200	400

All lighter loads are admitted

Limits determined by	Admitted stresses (stress determined by the load)
the maximum admitted stress is 1/5 of the ultimate stress (safety factor is equal to 0.20 – the ultimate stress is 5 times the specified load)	

DISTIBUTED LOAD			CONCENTRATED LOAD		
	Distance between supports [cm]	Maximum admitted load [kg/m ²]		Distance between supports [cm]	Maximum admitted load [kg/m]
70	4600		70	1600	
90	2800		90	1250	
110	1850		110	1000	
130	1300		130	850	

All lighter loads are admitted

- The above characteristics are meant as reference values for standard material in ambient working temperature. Even if they are not to be considered as guaranteed characteristics they are based on our experience and are supplied in good faith.
- According to the standard DIN 24537-3 the conversion safety factor should be 0.75 for internal environmental exposure conditions, 0.65 for external exposure conditions, and 0.50 for aggressive exposure conditions.
- No matter which are the exposure conditions, chemical resistance must be always verified by contacting M.M.technical department.
- In case of heavy duty load compressive strength must be verified.